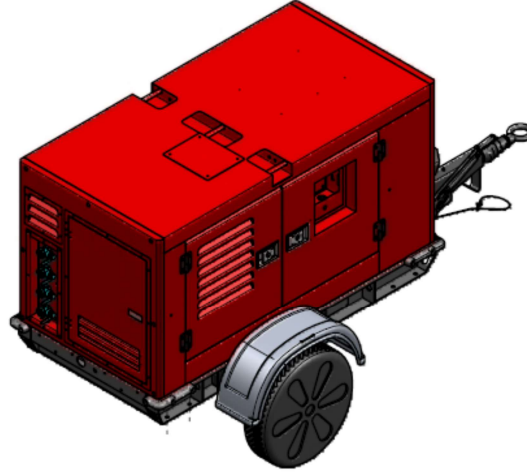


ALWAYS PERFORMED WELL



ALWAYS PERFORMED WELL  
**MES120S-7VP**

**Compressor type** Rotary Twin Screw, 1-Stage, Oil-cooled

General		
Sound Pressure Level	dB(A)	69
Maximum ambient	°C (°F)	46 (115)
Minimum ambient	°C (°F)	1.7 (35)
Maximum pressure	barg (psig)	7.5 (109)
Minimum pressure	barg (psig)	4.5 (65.3)
Compressor Oil System	l(US gal)	8(2.1)
Eff.STD.		GB19153-2019 Class 1

Drive Motor		
Maker/Model	G260-8-18.5-3000	
Type	Premium-Efficiency Three Phase Variable Frequency Permanent Magnet Synchronous Motors	
Rated output	kw(ps)	18.5(25)
Rated Voltage	V	380
Rated Frequency	Hz	200
Pole		8
Efficiency	%	96.00%
Power Factor		0.91
Phase		3
Rated Current	A	35
Rated Speed	rpm	2975
Service Factor		1.2
Insulation Class		F
Protection Degree		IP65
Eff.STD.		IEC TS 60034-30-2:2016 IE5
Connection		Y
Cooling Method		Oil cooling
Bearing Brand		SKF
Temperature Detectors	Windings	PTC*3
	Bearing	PT100*3
Start type		Variable Frequency Starting

Air Cooling System		
Cooling Air Flow	m³/min (cfm)	95(3393)
Maximum ΔP in air ducts	Pa (inch wg)	85(0.34)
Compressed air outlet ΔT	°C (°F)	10(50)

Dimensions & weight and connections			
Portable	Length	mm(in)	2866(113)
	Width	mm(in)	1462(58)
	Height	mm(in)	1548(61)
	weight(Dry)	kg(lb)	424(934)
	weight(Wet)	kg(lb)	426(940)
Compressed air outlet			G1

\* Note: Due to continuous improvements in the products, the technical specifications are subject to change without prior notice.

ALWAYS PERFORMED WELL

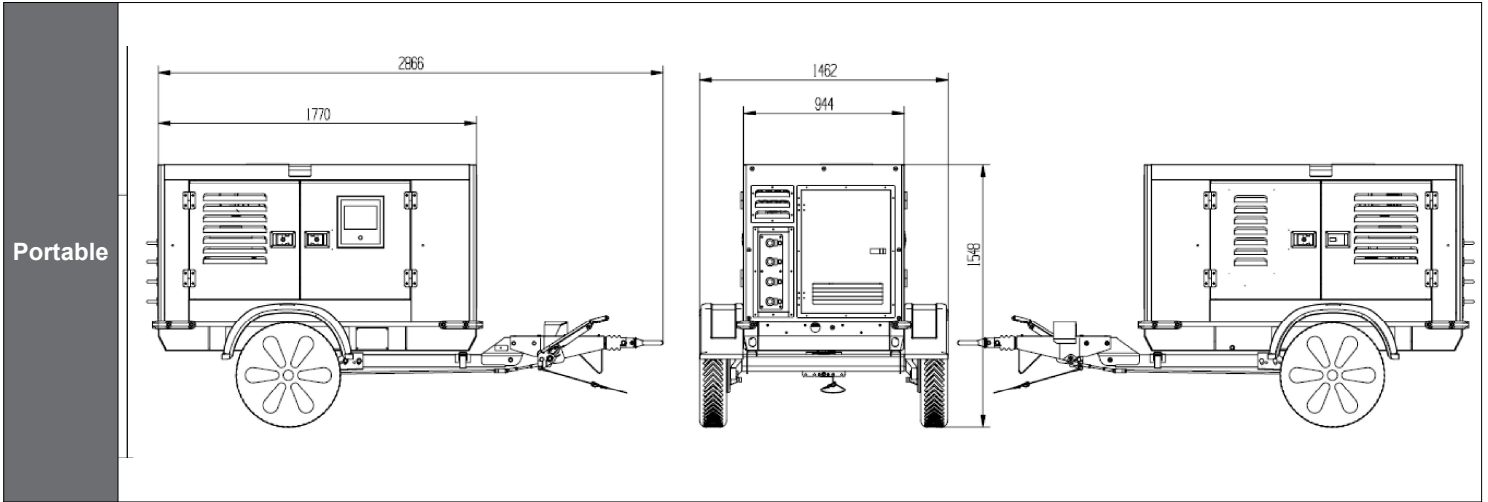
# MES120S-7VP Technical Data

## Additional features & options

«Full Feature unit: with ID integrated dryer  
«Full Feature: integrated DD pre-filter (only in combination with the integrated)  
«Phase sequence relay  
«Anti-condensation heater in the main motor

«NPT/ANSI connections  
«Energy recovery  
«Integrated oil-water condensate separator (effluent purity of 10 mg oil/liter of  
«Electronic water drain EWD

## Dimensions



### CERTIFICATION

GCCA:GC009G01  
CE certification: Machinery Directive 2006/42/EC  
GB/T 45001-2020/ISO 45001:2018 ,GB/T 24001-2016/ISO14001:2015, ISO9001:2015

### WARRANTY COVERAG

**PACKAGE:** 18 months after delivery or one year after start-up  
**MOTOR:** STANDARD: 2 years  
**AIREND:** STANDARD: 2 years  
EXTENDED: 5 years or 10,000 hours with the use of GTL filters and fluids



### XIAMEN GTL POWER SYSTEM CO.,LTD

**Marketing Center:** 5F, Bo an Shi TongBuilding, No.997-999, TEL: +86 (0592)7196398  
Tianma Rd, Jimei,Xiamen,361100

**ChinaManufacturer Center:**!#Factory BuildingNo.8 Tonghong Rd, WEB: [www.cngtl.com](http://www.cngtl.com)  
Tong'an District,Xiamen,361100,China

Effective Date: Septemeber, 2024.10. Product specifications and prices are subject to change without notice or obligation. The photographs and/or drawings in this document are for illustrative purposes only. Refer to the appropriate Operator's Manual for instructions on the proper use of this equipment. Failure to follow the appropriate Operator's Manual when using our equipment or to otherwise act irresponsibly may result in serious injury or death. The only warranty applicable to our equipment is the standard written warranty applicable to the particular product and sale and we make no other warranty, express or implied. Products and services listed are trademarks, service marks or trade-names of Xiamen GTL Power System Co.,Ltd

For more information, product demonstration, or details on purchase, lease and rental plans, please contact your local GTL distributor.